

Rush Creek Task Force

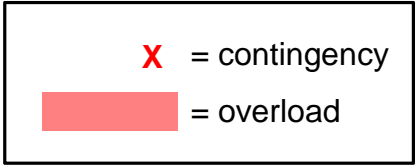
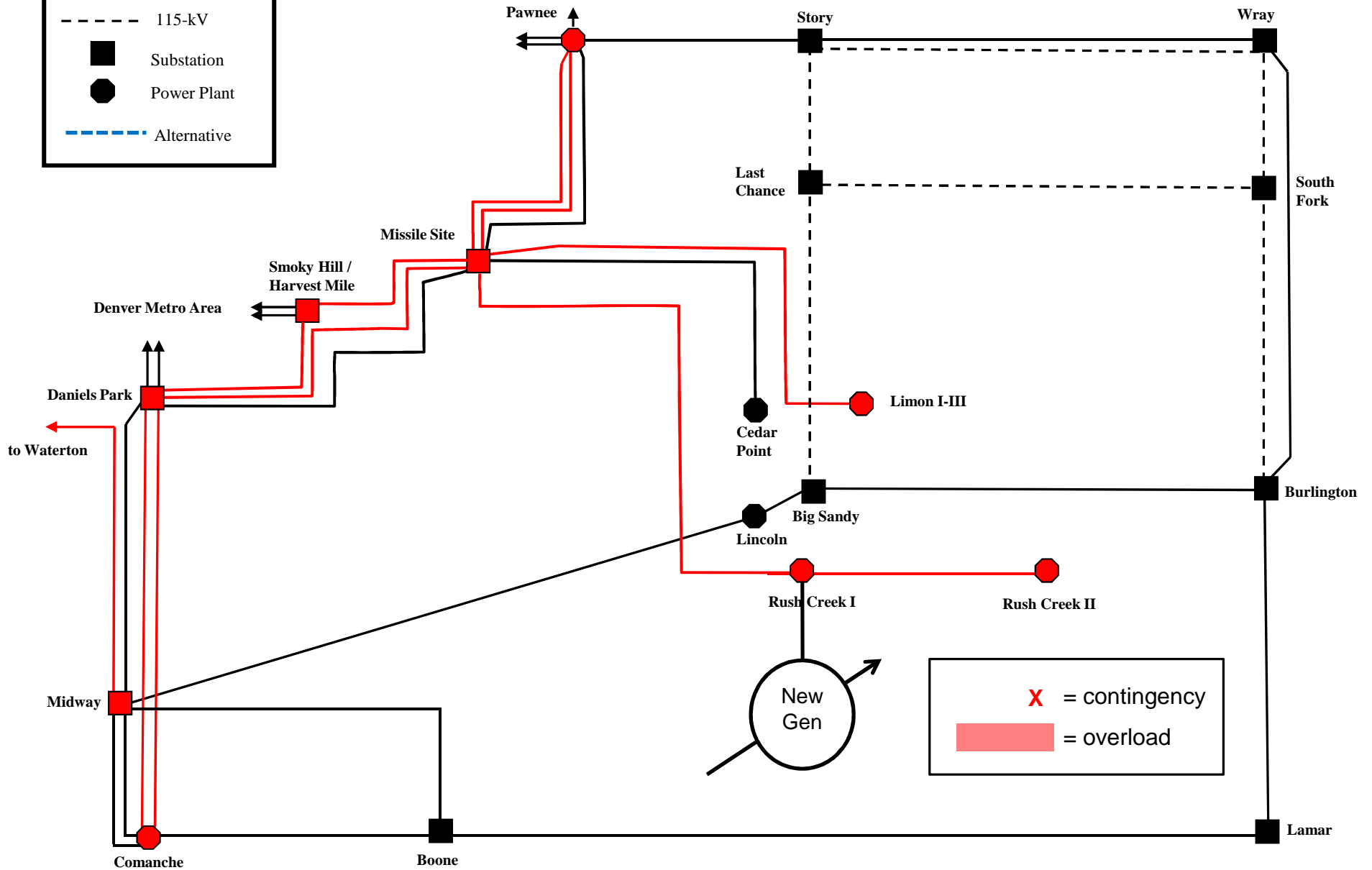
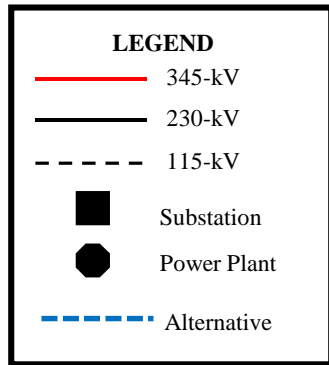
Preliminary Power Flow Analysis

Heavy Summer 2026 case

March 29, 2017

Benchmark Transmission System

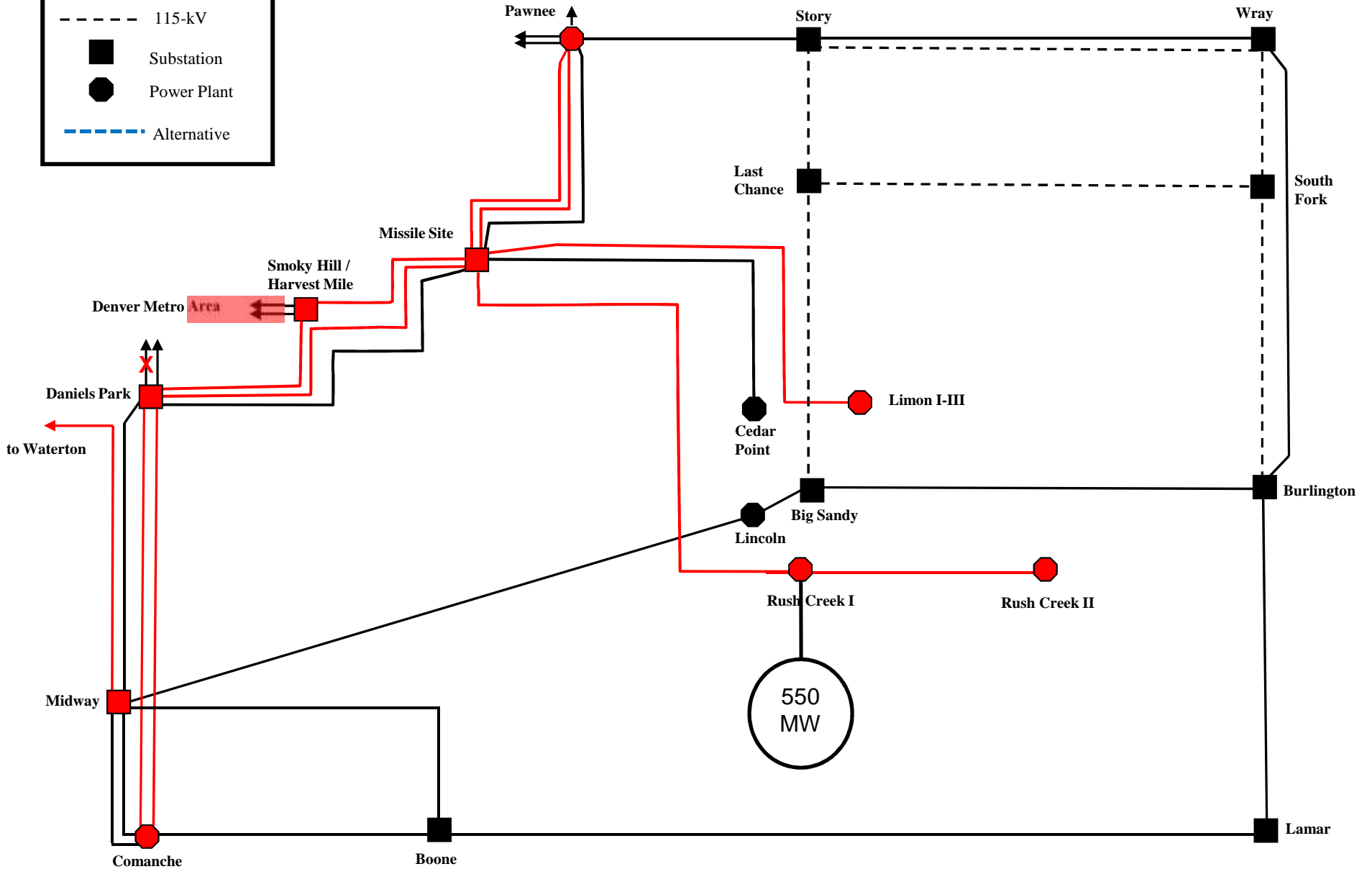
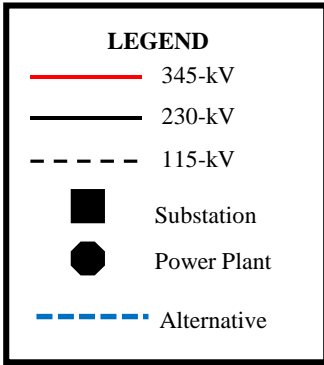
Including future Rush Creek, Pawnee-Daniels Park, Burlington-Lamar projects



Benchmark

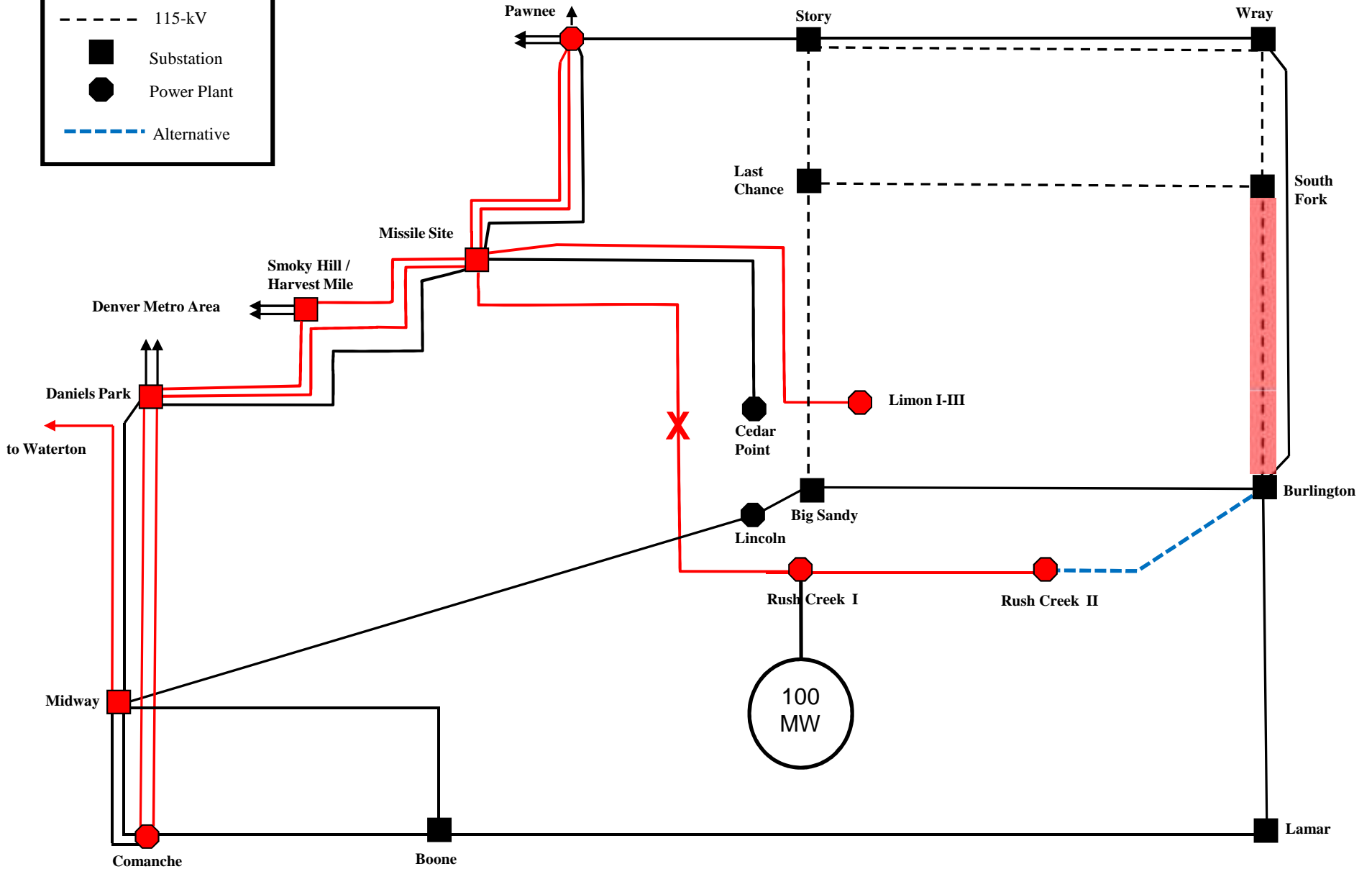
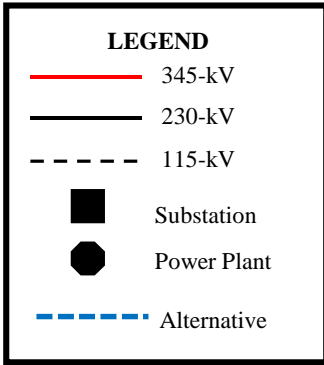
Incremental = 550 MW

Total = 1150 MW



Alternative 1

Incremental = 100 MW
Total = 700 MW

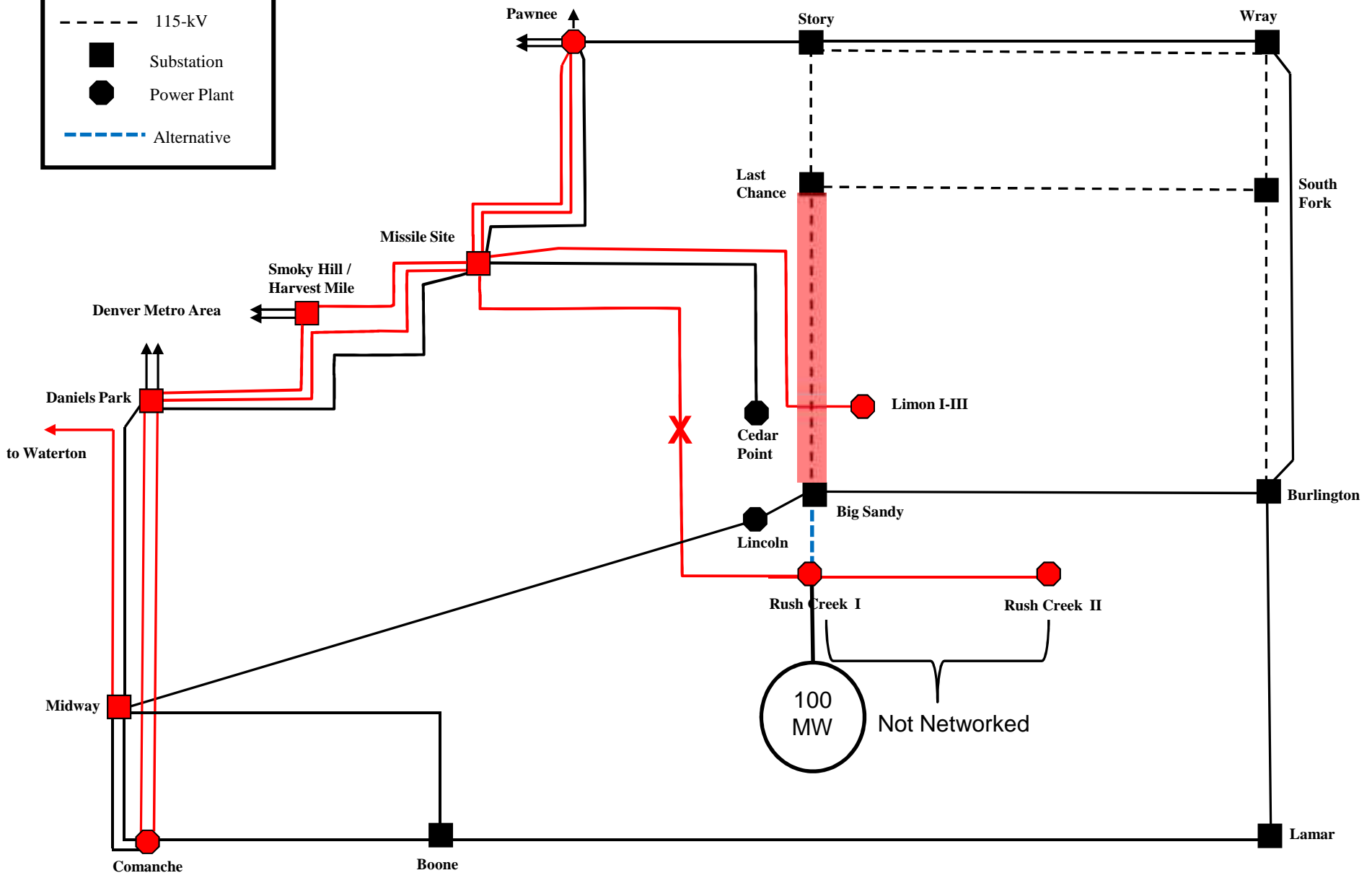


Alternative 2

Incremental = 100 MW
Total = 700 MW

LEGEND

- 345-kV (Red solid line)
- 230-kV (Black solid line)
- 115-kV (Black dashed line)
- Substation (Black square)
- Power Plant (Black octagon)
- Alternative (Blue dashed line)

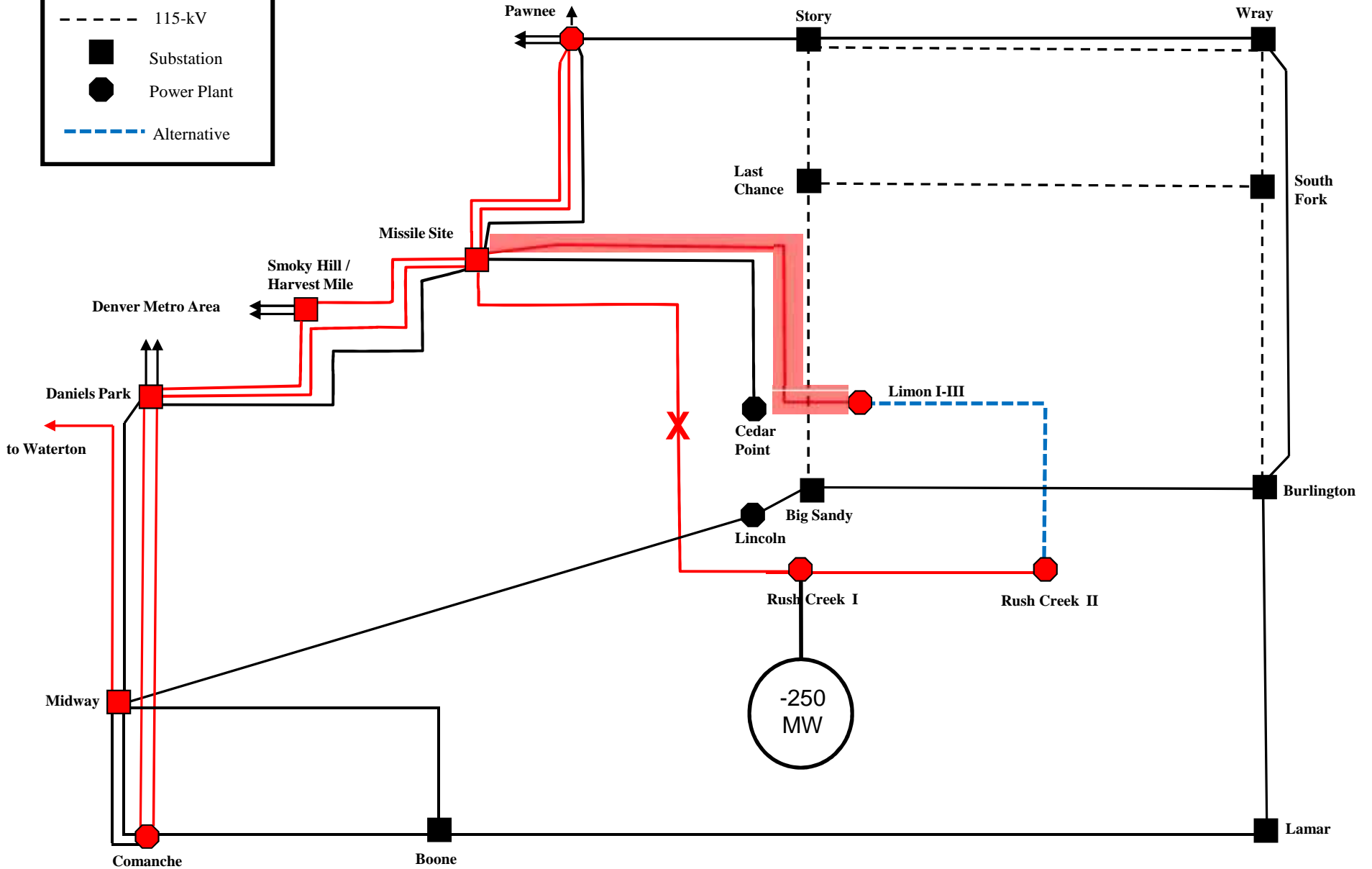


Alternative 3

Incremental = -250 MW
Total = 350 MW

LEGEND

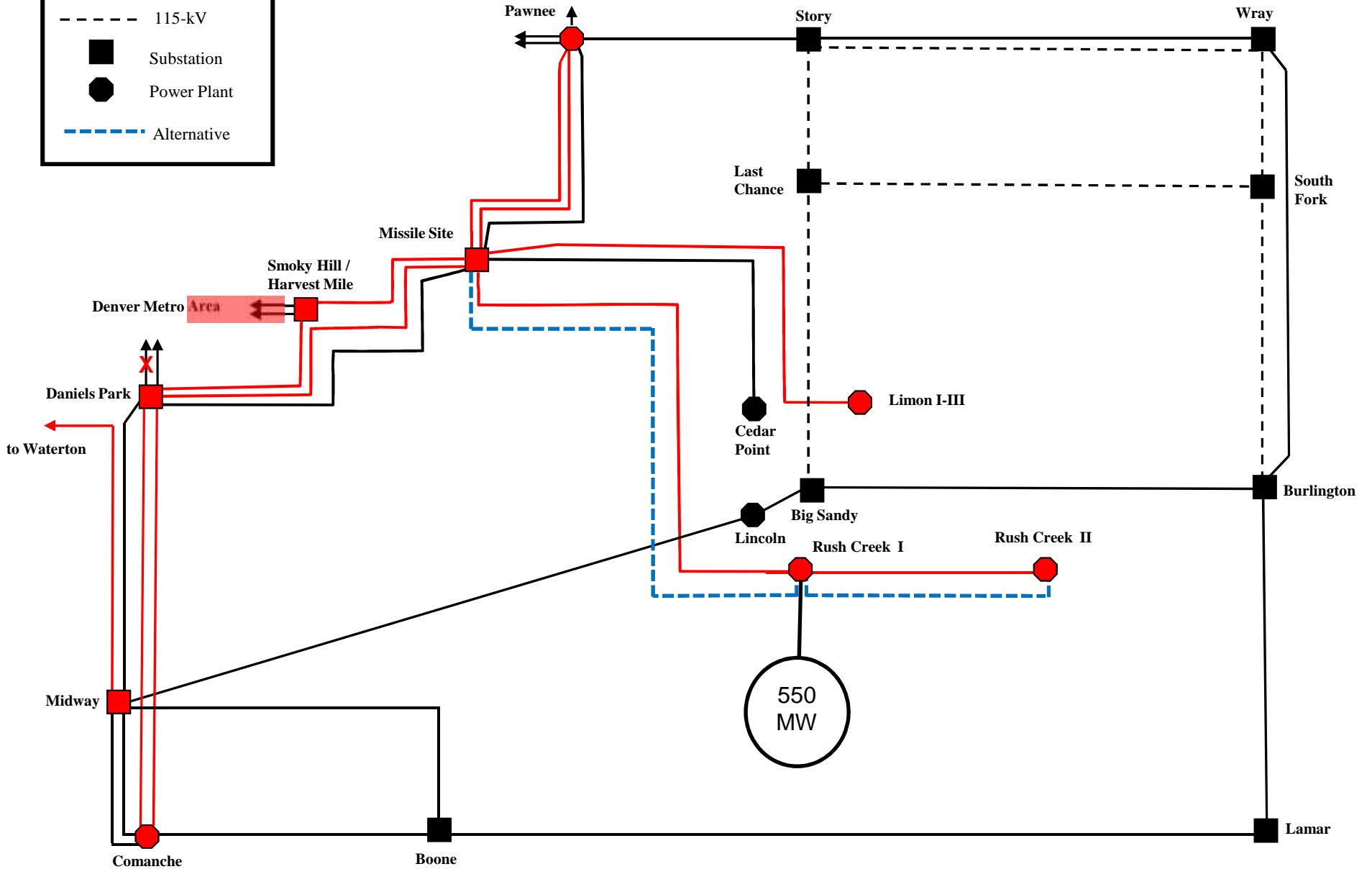
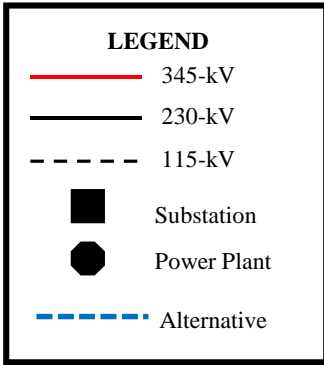
- 345-kV (Red line)
- 230-kV (Black line)
- 115-kV (Dashed black line)
- Substation (Black square)
- Power Plant (Black octagon)
- Alternative (Blue dashed line)



Alternative 4

Incremental = 550 MW

Total = 1150 MW

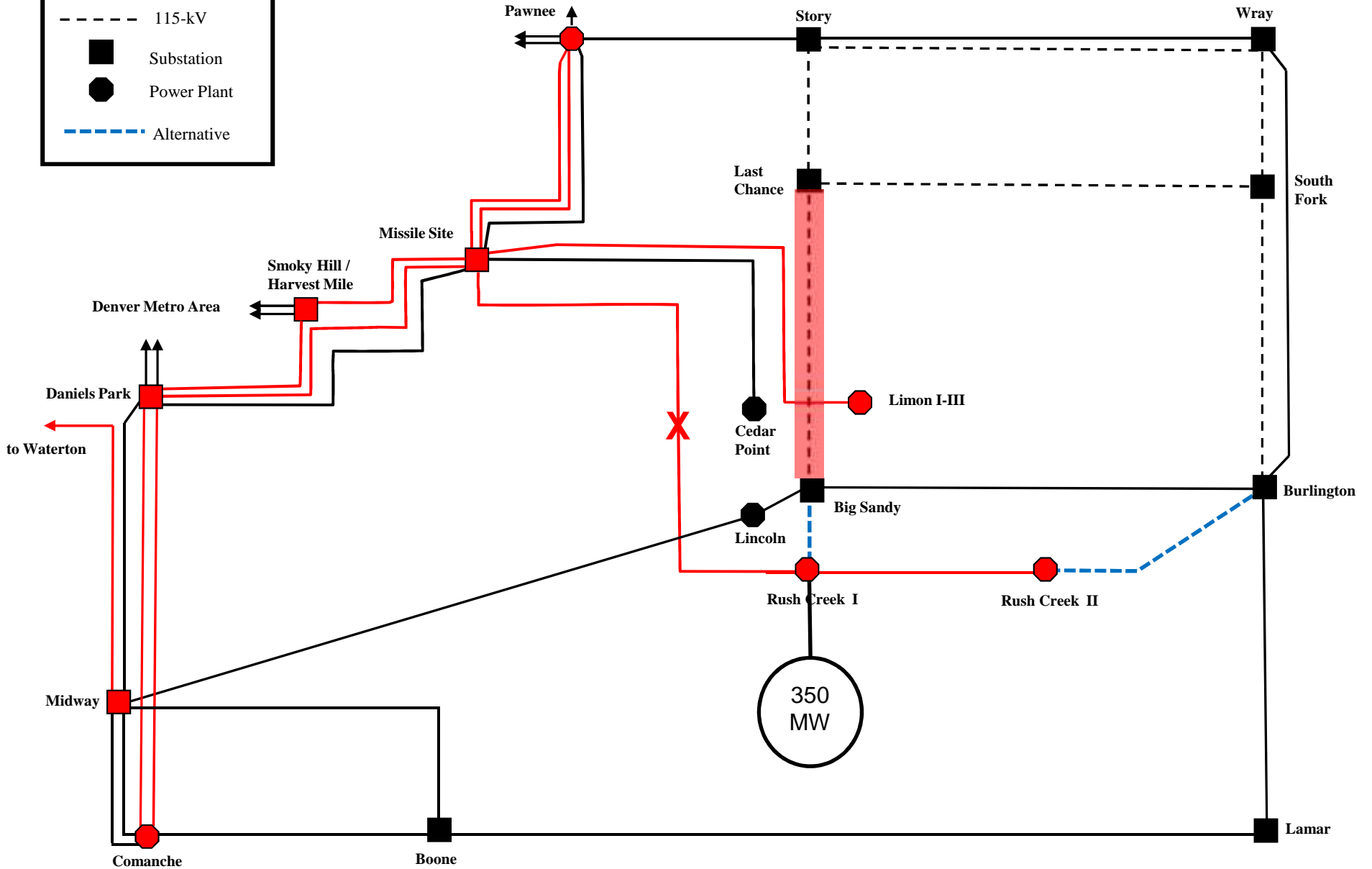


Alternative 5

Incremental = 350 MW
Total = 950 MW

LEGEND

- 345-kV
- 230-kV
- - - 115-kV
- Substation
- Power Plant
- - - Alternative

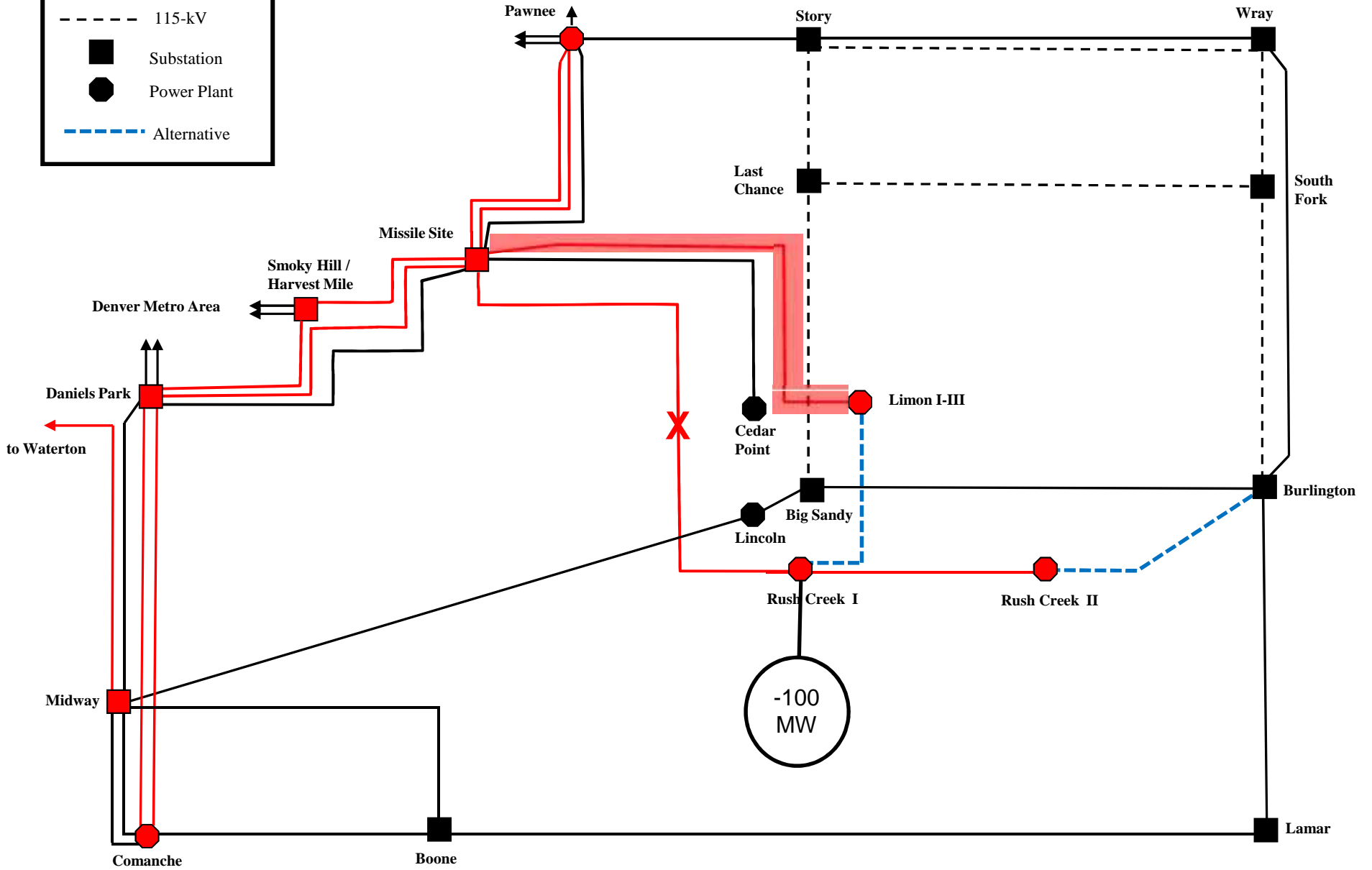


Alternative 6

Incremental = -100 MW
Total = 500 MW

LEGEND

- 345-kV (Red line)
- 230-kV (Black line)
- 115-kV (Dashed black line)
- Substation (Black square)
- Power Plant (Black octagon)
- Alternative (Blue dashed line)

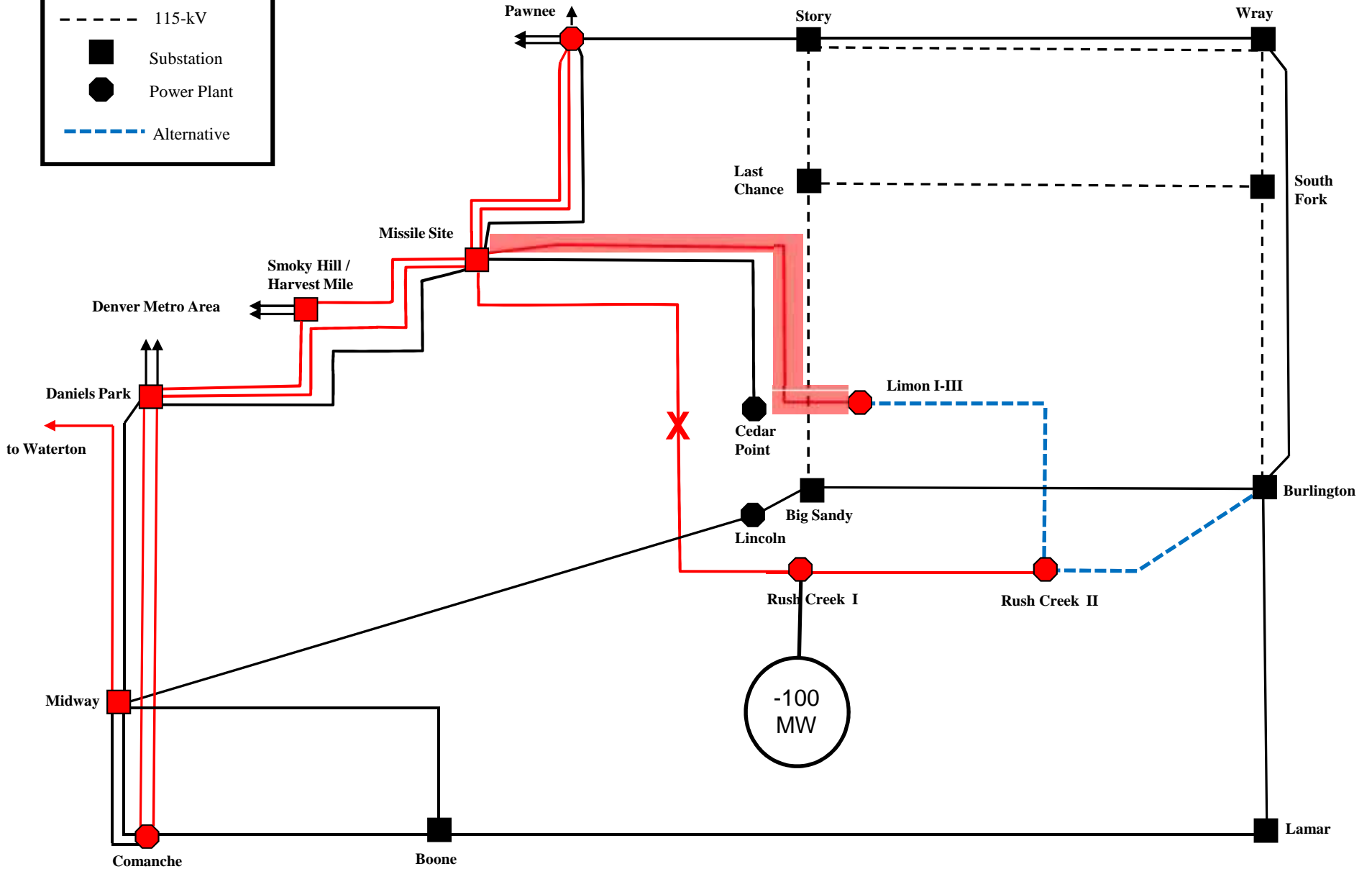


Alternative 7

Incremental = -100 MW
Total = 500 MW

LEGEND

- 345-kV (Red line)
- 230-kV (Black line)
- 115-kV (Dashed black line)
- Substation (Black square)
- Power Plant (Black octagon)
- Alternative (Blue dashed line)

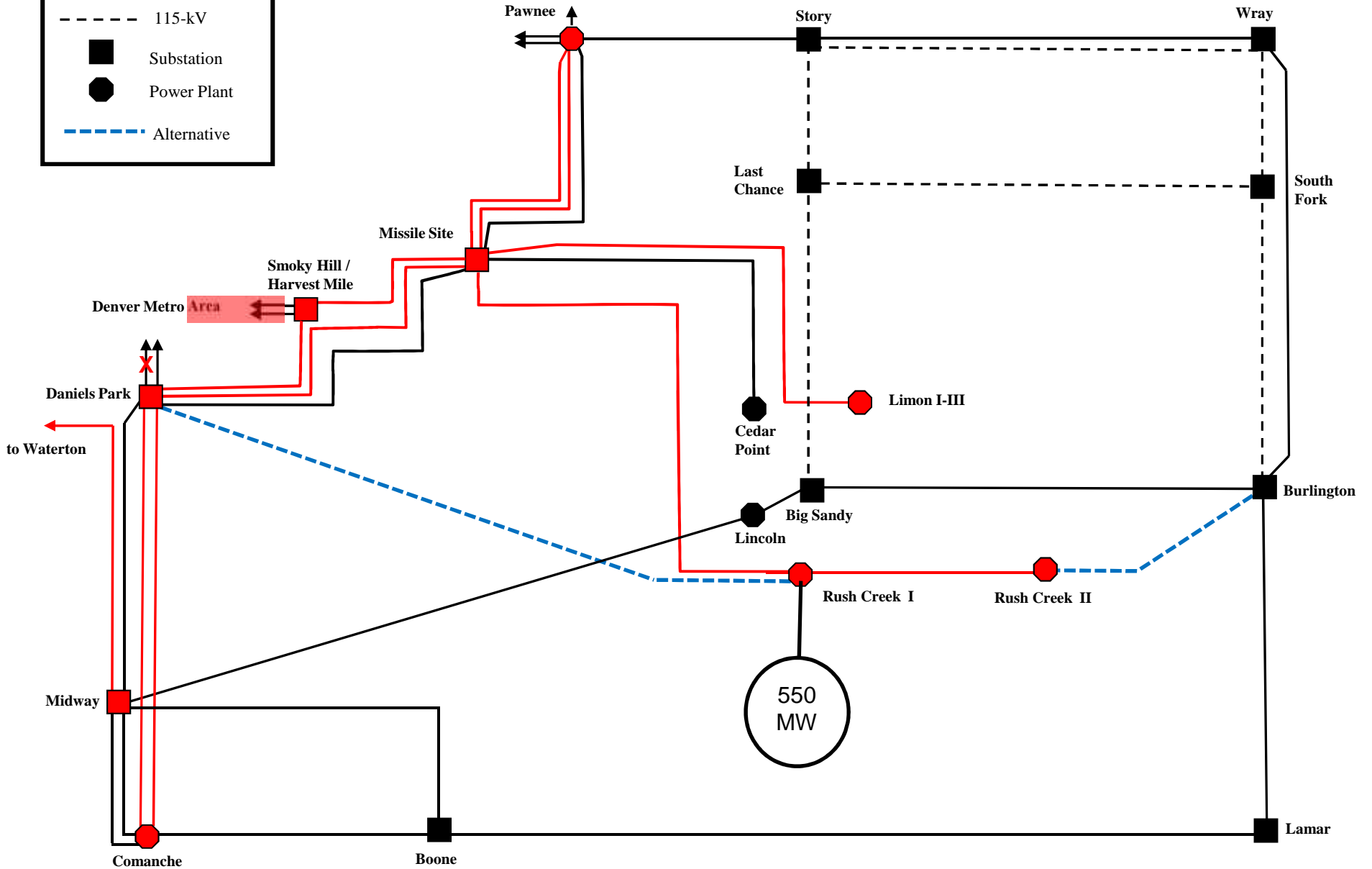


Alternative 8

Incremental = 550 MW
Total = 1150 MW

LEGEND

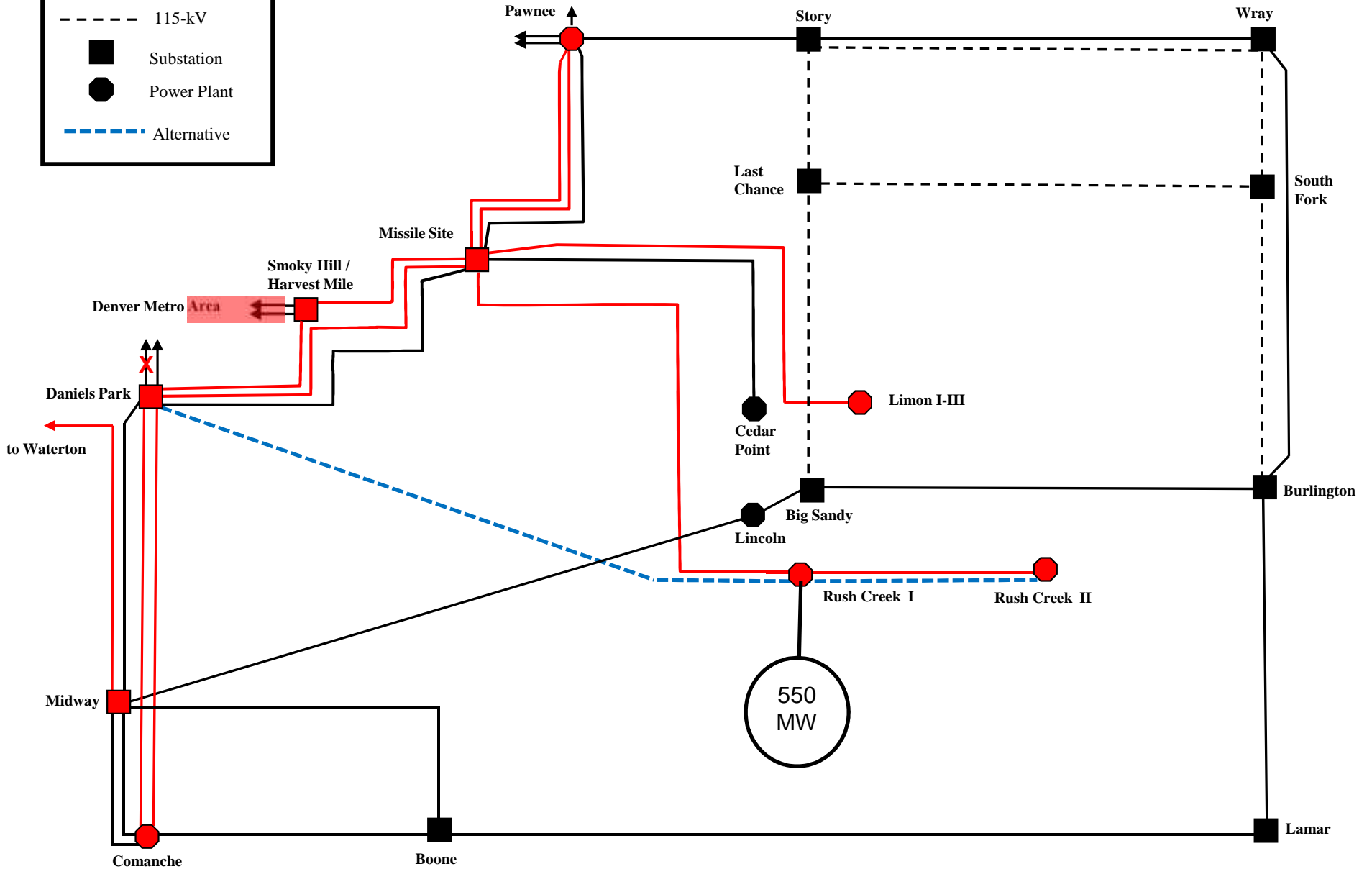
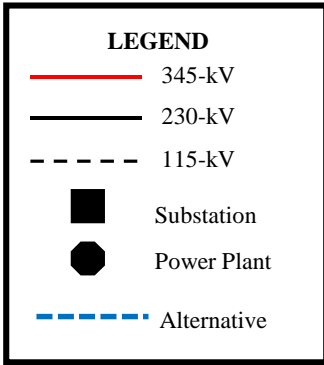
- 345-kV
- 230-kV
- - - 115-kV
- Substation
- Power Plant
- - - Alternative



Alternative 9

Incremental = 550 MW

Total = 1150 MW



Alternative 9a

Incremental = 600 MW

Total = 1200 MW

