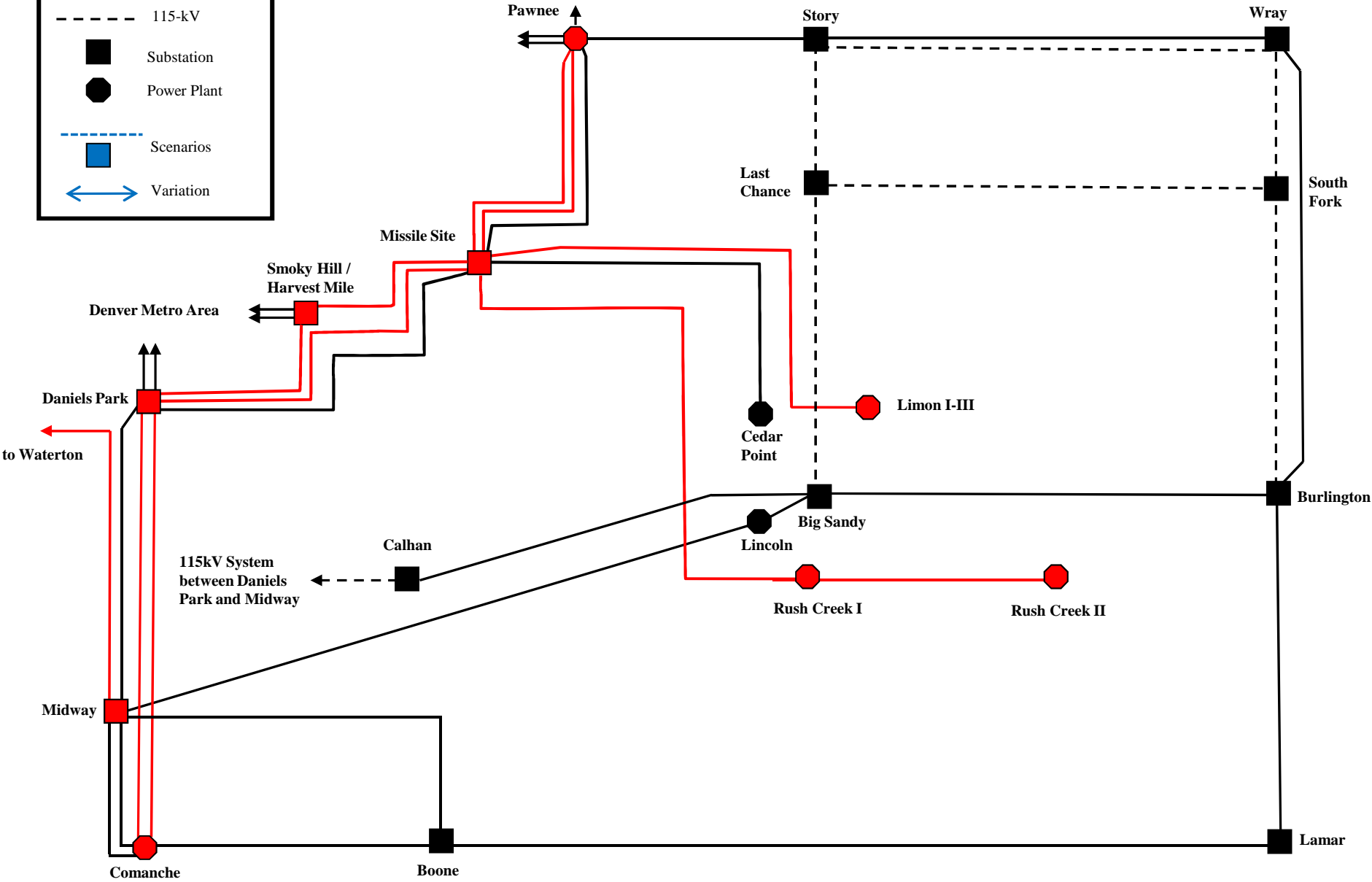


Transmission System

Including future Rush Creek, Pawnee-Daniels Park, Burlington-Lamar, and Big Sandy - Calhan projects

LEGEND

- 345-kV
- 230-kV
- - - 115-kV
- Substation
- Power Plant
- - - Scenarios
- ◻ Variation



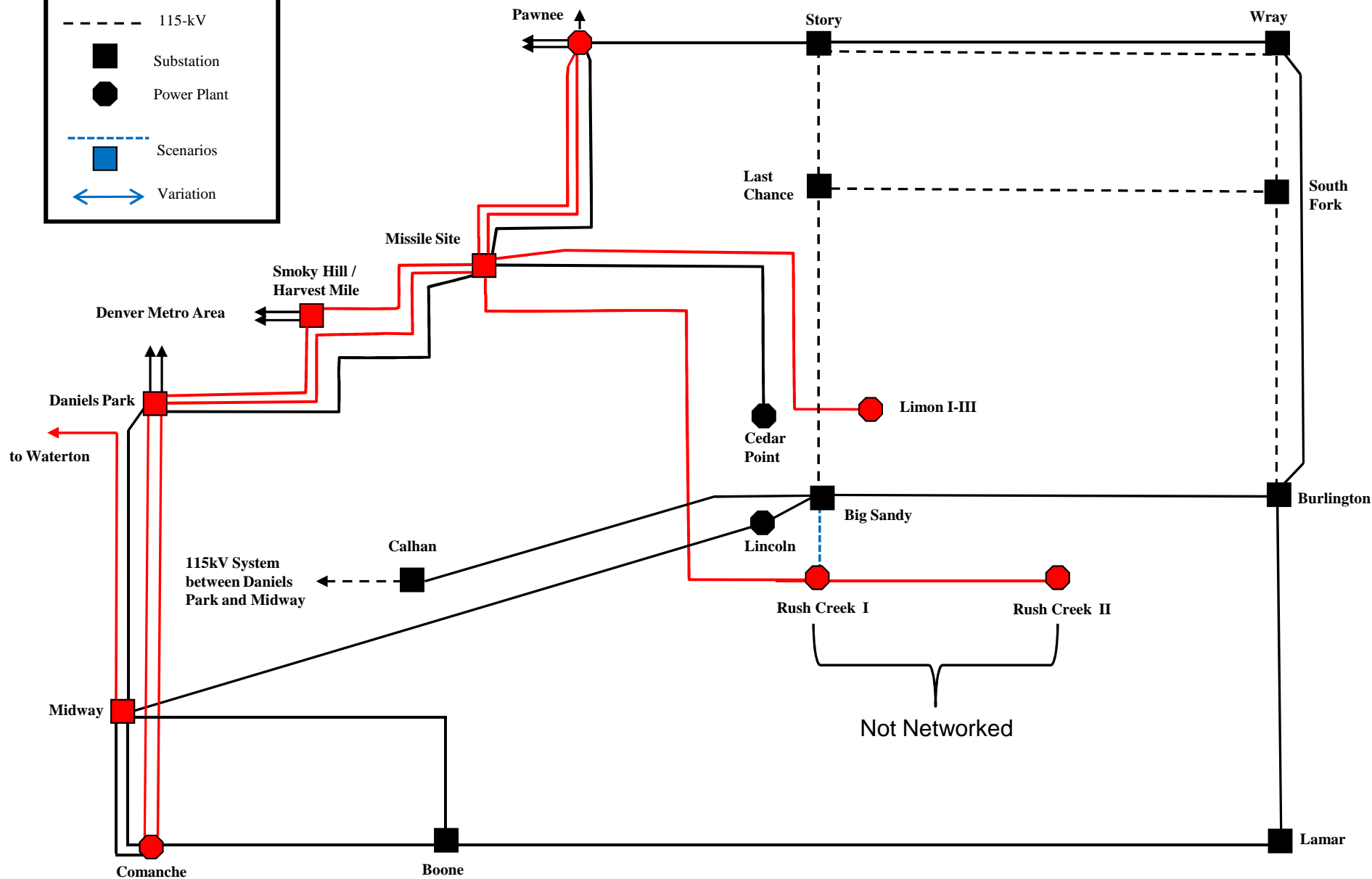
DRAFT
SINGLE CONNECTION
ALTERNATIVES
1-7

Alternative 2

Connect Rush Creek line northward to Big Sandy with 230/345 kV transformer at Big Sandy

LEGEND

- 345-kV
- 230-kV
- - - 115-kV
- Substation
- Power Plant
- - - Scenarios
- ◄ Variation

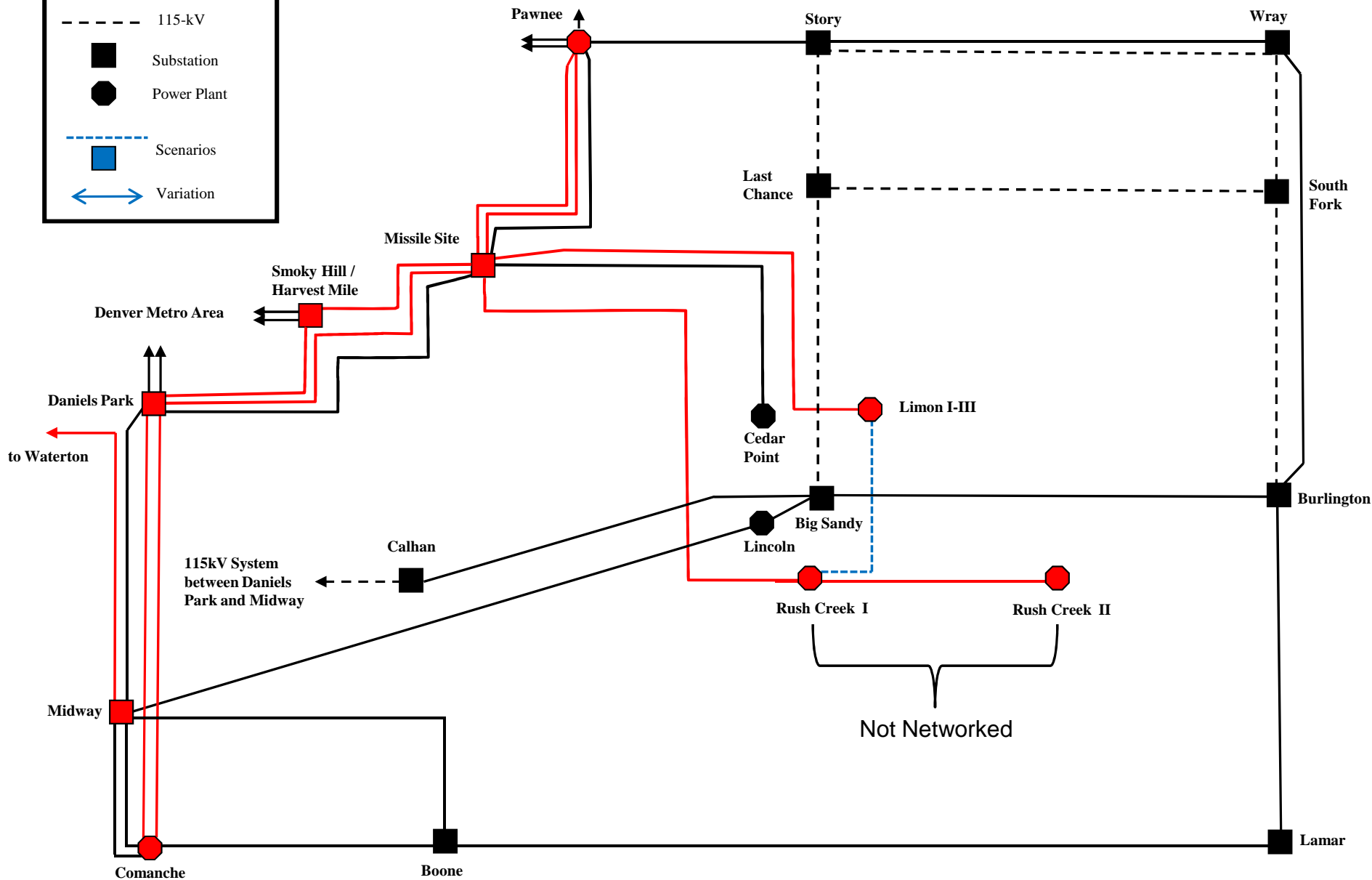


Alternative 3

Connect Rush Creek line northward to Limon Wind Gen

LEGEND

- 345-kV
- 230-kV
- - - 115-kV
- Substation
- Power Plant
- - - Scenarios
- ↔ Variation

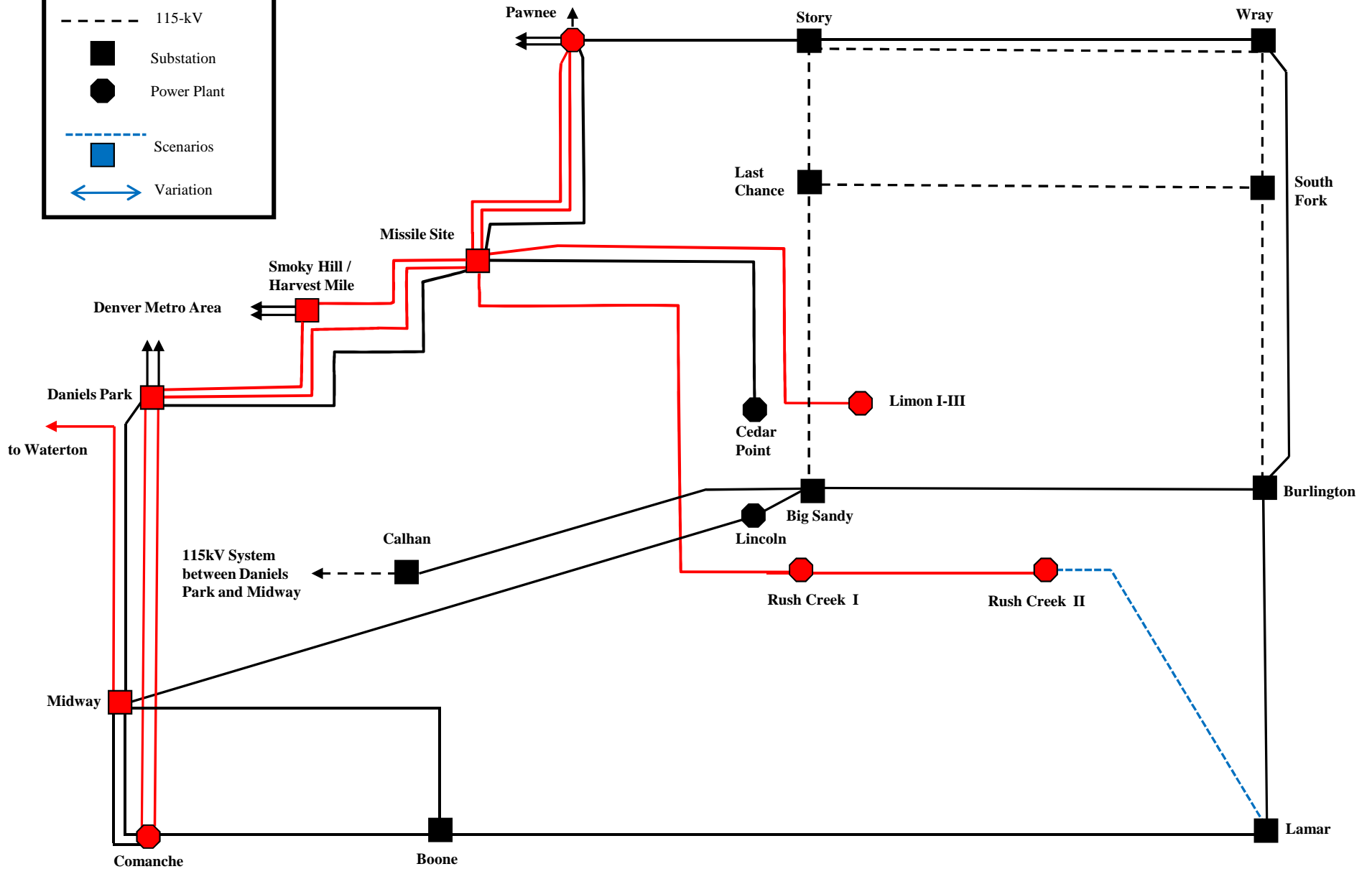


Alternative 4

Connect Rush Creek line southeastward to Lamar with 230/345 kV transformer at Lamar

LEGEND

- 345-kV
- 230-kV
- - - 115-kV
- Substation
- Power Plant
- - - Scenarios
- ◀ ▶ Variation

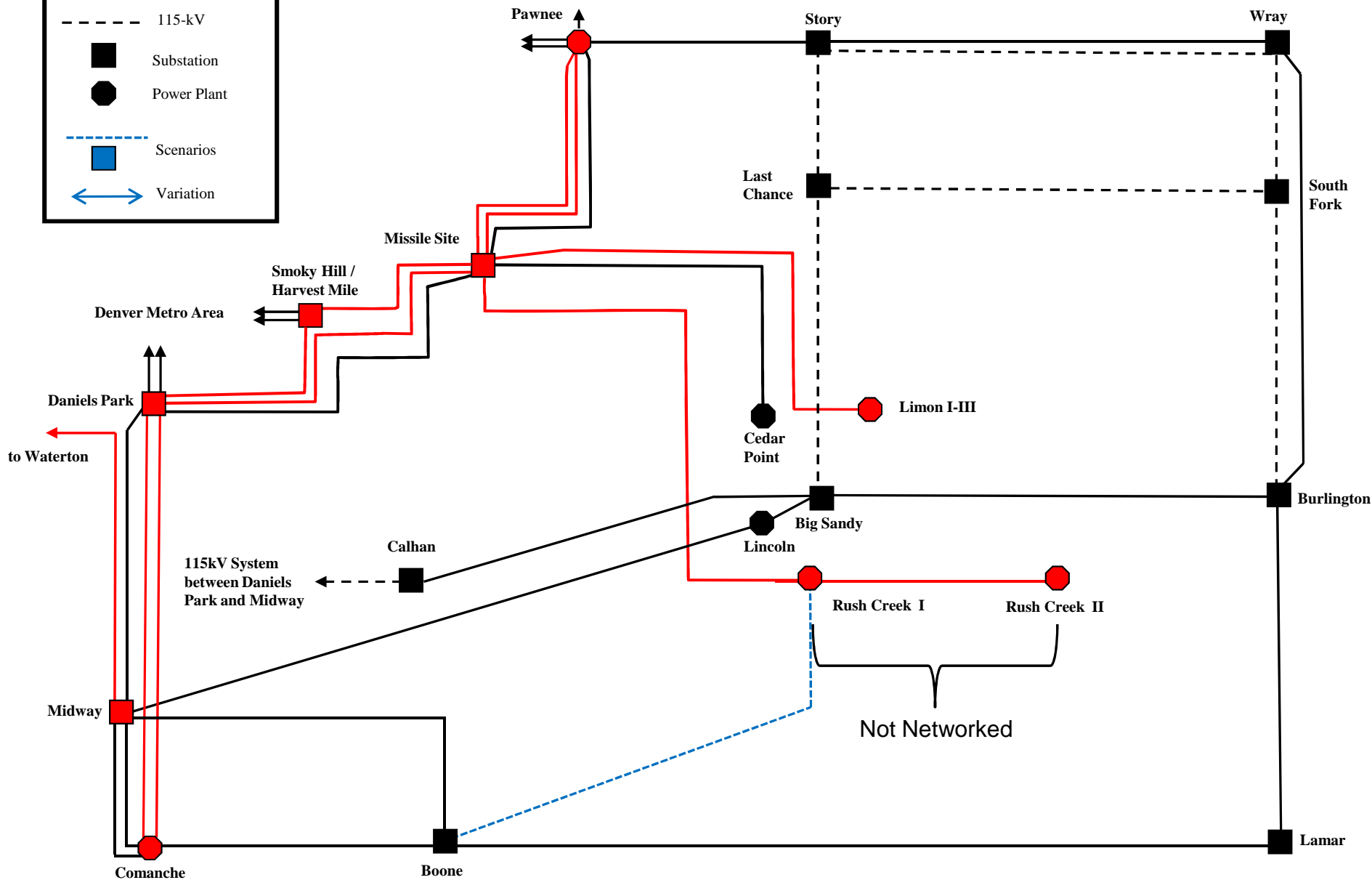


Alternative 5

Connect Rush Creek line southwestward to Boone with 230/345 kV transformer at Boone

LEGEND

- 345-kV
- 230-kV
- - - 115-kV
- Substation
- Power Plant
- - - Scenarios
- ◄ Variation

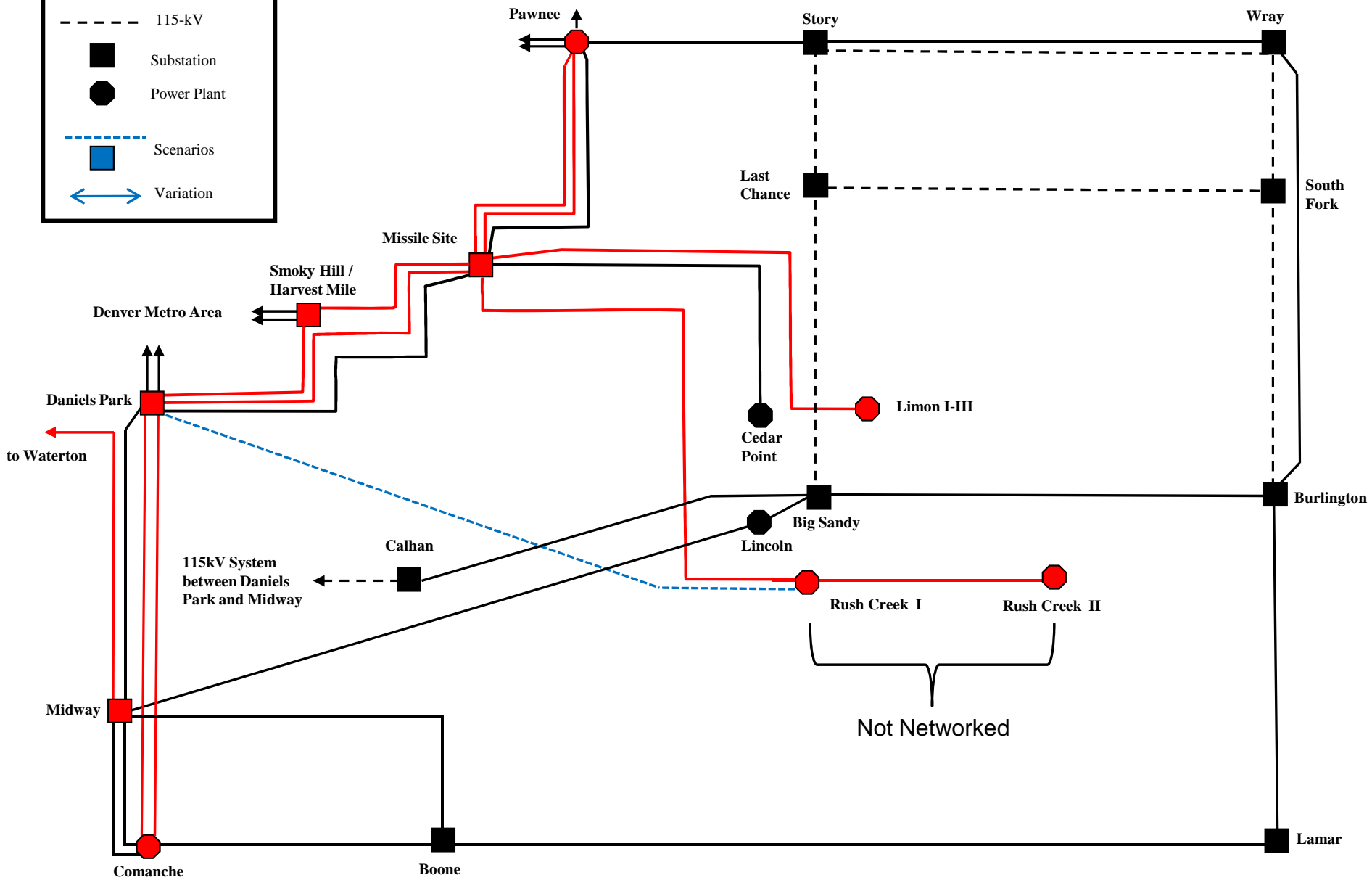


Alternative 6

Connect Rush Creek line northeastward to Daniels Park

LEGEND

- 345-kV
- 230-kV
- - - 115-kV
- Substation
- Power Plant
- - - Scenarios
- ↔ Variation

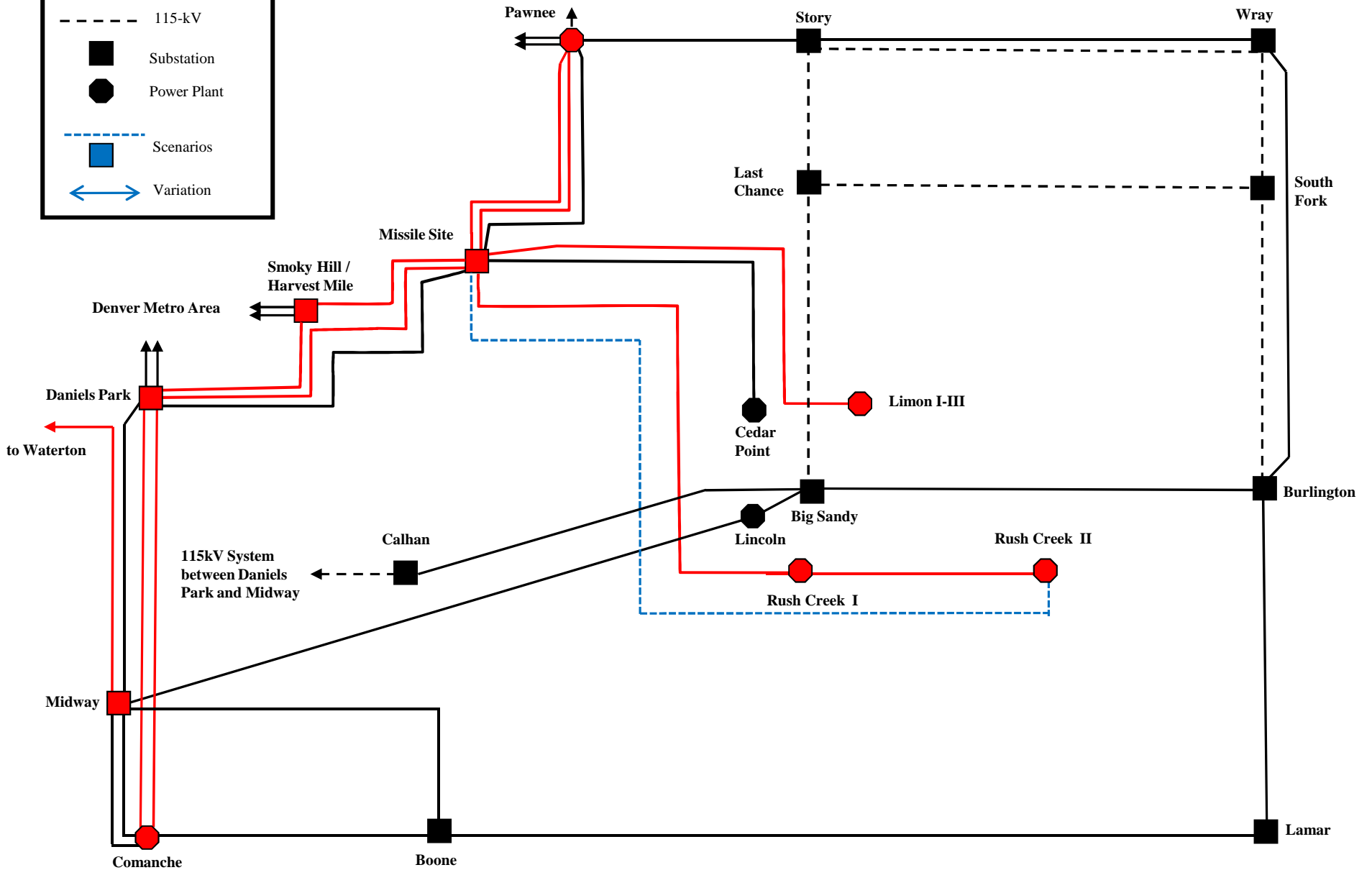


Alternative 7

Build a second Missile Site – Rush Creek 345 kV line, connecting to Rush Creek II.

LEGEND

- 345-kV
- 230-kV
- - - 115-kV
- Substation
- Power Plant
- - - Scenarios
- Scenarios
- ↔ Variation



DRAFT

**DOUBLE CONNECTION
ALTERNATIVES**

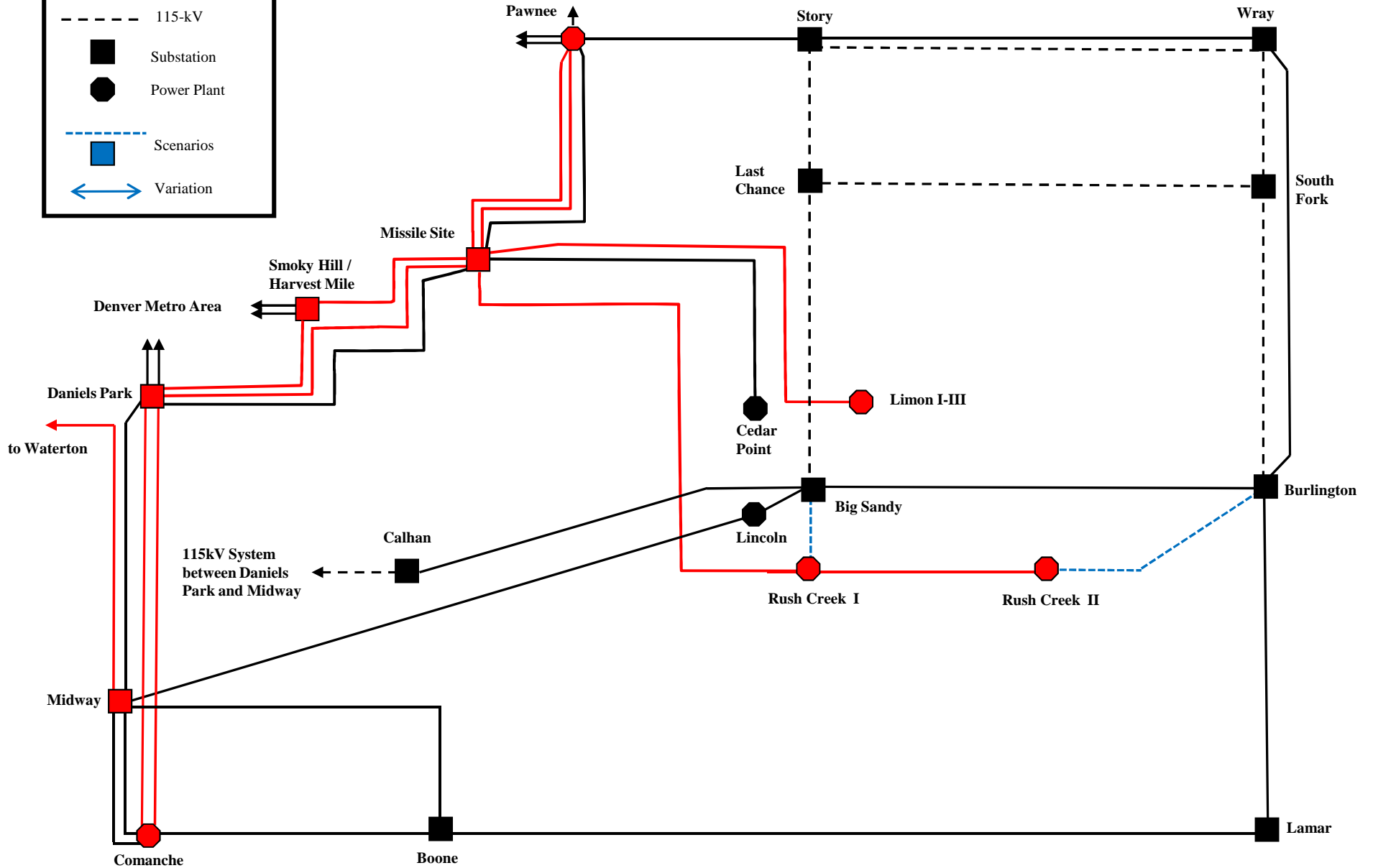
8-11

Alternative 8

Connect Rush Creek line northward to Big Sandy and eastward to Burlington, with 230/345 kV transformers at Big Sandy and Burlington

LEGEND

- 345-kV
- 230-kV
- - - 115-kV
- Substation
- Power Plant
- - - Scenarios
- ◄ Variation

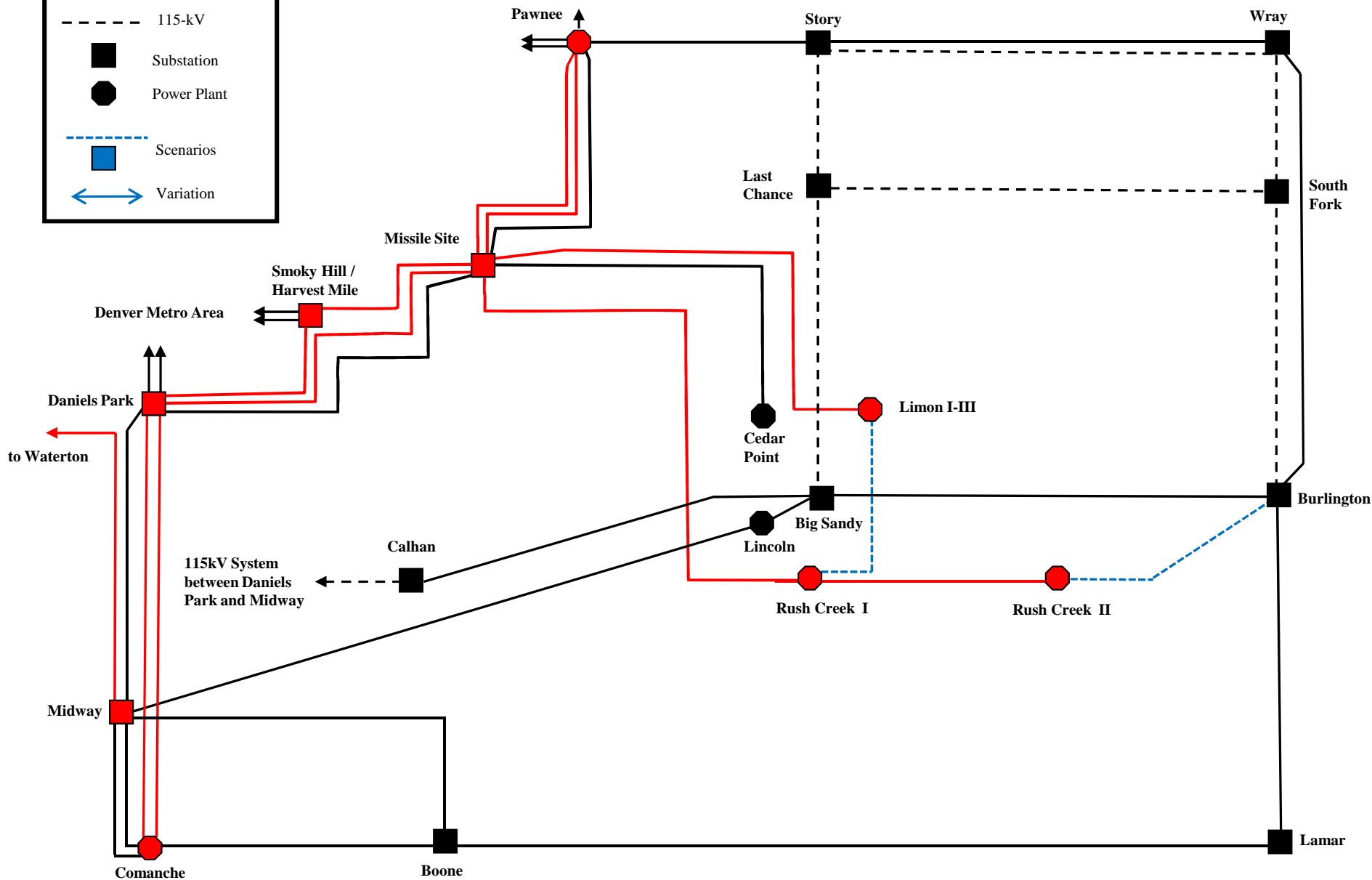


Alternative 9

Connect Rush Creek line northward to Limon Wind Gen and eastward to Burlington, with 230/345 kV transformer at Burlington

LEGEND

- 345-kV
- 230-kV
- - - 115-kV
- Substation
- Power Plant
- - - Scenarios
- ◀ ▶ Variation

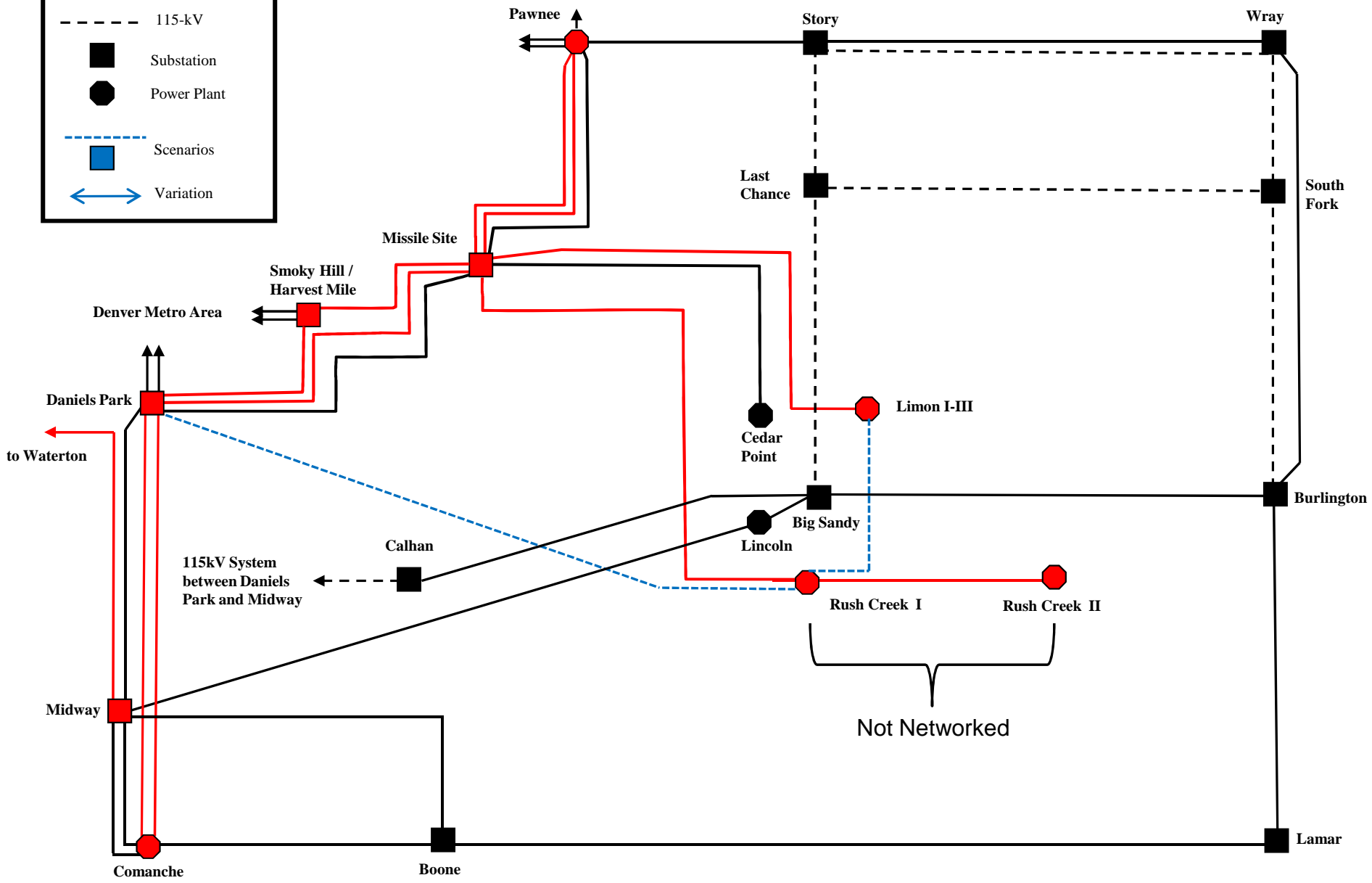


Alternative 10

Connect Rush Creek line northeastward to Daniels Park and northward to Limon Wind Gen.
 Add estimate if line connects to new substation along Comanche-Daniels Park lines.

LEGEND

- 345-kV
- 230-kV
- - - 115-kV
- Substation
- Power Plant
- - - Scenarios
- ↔ Variation



Alternative 11

Connect Rush Creek line northward to Big Sandy and eastward to Burlington and connect Missile Site eastward to Last Chance, with 230/345 kV transformers at Big Sandy and Burlington and 115/345 kV transformer at Last Chance

